



\$495
Model Shown

PX103 Series
5 Vdc Output
0-5 to 0-20,000 psi
0-500 mbar to 0-1,300 bar

1 bar = 14.5 psi
1 kg/cm² = 14.22 psi
1 Atmosphere = 14.7 psi = 29.93 in-Hg = 760.2 mm-Hg = 1.014 bar

- All Stainless Steel
- Amplified Voltage Output
- Flush Diaphragm for Hard-to-Measure Fluids
- Ideal for Tank and Level Applications

The OMEGADYNE™ PX103 Voltage Transmitters feature a rugged all stainless steel case and a high reliability low noise 0.5 to 5.5 Vdc output. Designed for use in critical applications in waste water management, chemical manufacturing, water processing, tank and level applications and other industrial applications where a non-plugging flush diaphragm is needed.

**For Sales and Service
In U.S.A. and Canada**

1-800-872-3963SM
1-800-USA-DYNE

**International Customers Dial
(614) 965-9340**
24-Hour FAX (614) 965-9438

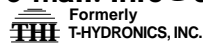
OMEGADYNESM FAX

OMEGADYNE's 24-Hour
On-Line Publishing Service

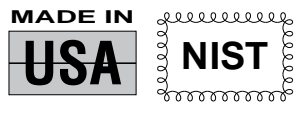
1-800-344-3963SM
1-800-DIG-DYNE

Document # 3664

OMEGADYNE, Inc.
149 Stelzer Court, Sunbury, OH 43074
<http://www.omegadyne.com>
e-mail: info@omegadyne.com



© COPYRIGHT 1996 OMEGADYNE, INC. ALL RIGHTS RESERVED.



Interchangeable with
Model TH-FDVS

SPEC SHEET
PX103-5V

FLUSH DIAPHRAGM TRANSDUCER WITH AMPLIFIED VOLTAGE OUTPUT

Stainless Steel Wetted Parts



Cable Style
Model PX103U0-025G5V
Shown Actual Size

Connector Style
Model PX103U1-025G5V
Shown Actual Size

► **Most Popular Models Highlighted** ◀

Prices Shown in U.S. Dollars

To Order: (Specify Model Number)			
Range (psi)	Model Number	Price	Compatible Meters
Absolute Pressure (All Ranges Available in Absolute Pressure)			
0-15	PX103U[*]-015A5V	\$565	INFP, INFCP, IDP
0-25	PX103U[*]-025A5V	565	INFP, INFCP, IDP
0-50	PX103U[*]-050A5V	565	INFP, INFCP, IDP
Gage Pressure (All Ranges Also Available in Sealed Gage Pressure)			
0-5	PX103U[*]-005G5V	495	INFP, INFCP, IDP
0-15	PX103U[*]-015G5V	495	INFP, INFCP, IDP
0-25	PX103U[*]-025G5V	495	INFP, INFCP, IDP
0-50	PX103U[*]-050G5V	495	INFP, INFCP, IDP
0-100	PX103U[*]-100G5V	555	INFP, INFCP, IDP
0-200	PX103U[*]-200G5V	555	INFP, INFCP, IDP
0-500	PX103U[*]-500G5V	555	INFP, INFCP, IDP
0-1,000	PX103U[*]-1KG5V	555	INFP, INFCP, IDP
0-2,000	PX103U[*]-2KG5V	555	INFP, INFCP, IDP
0-3,000	PX103U[*]-3KG5V	555	INFP, INFCP, IDP
0-5,000	PX103U[*]-5KG5V	555	INFP, INFCP, IDP
0-10,000	PX103U[*]-10KG5V	555	INFP, INFCP, IDP
0-15,000	PX103U[*]-15KG5V	555	INFP, INFCP**, IDP**
0-20,000	PX103U[*]-20KG5V	555	INFP, INFCP**, IDP**

** 4-Digit Meter - Counts by 10

Interchangeable with Model TH-FDVS

Metric Ranges Available – Consult Engineering

[*] To order **Cable Style** insert a **0**, to order **Connector Style** insert a **1**.

To order **Absolute Pressure** ranges change the "G" in the part number to an "A" (add \$70).

To order **Sealed Gage Pressure** models, change "G" in the part number to an "S", no charge.

To order extra lead length (10 ft standard) add suffix "-(Length of cable in feet)" add \$2.00/ft extra.

Ordering Examples: 1.) **PX103U0-050G5V** is a 50 psi Gage Pressure Cable Style transducer with 0.5-5.5 Vdc output, \$495. 2.) **PX103U1-100A5V** is a 100 psi Absolute Pressure Connector Style transducer with 0.5-5.5 Vdc output, \$555 + \$70 = **\$625**. Mating Connector (not included) **PT06F-10-6S**, \$26.50. 3.) **PX103U0-200S5V-25FT** is a 200 psi Sealed Gage Pressure Cable Style transducer with 0.5-5.5 Vdc output and 25 ft. leads, \$555 + \$30 = **\$585**.

Printed On Recycled Paper



SPECIFICATIONS: 5.5Vdc Output

Electrical:

Excitation: 24 -32 Vdc

Output: 0.5 to 5.5 Vdc

Zero Balance: 0.5 V ±0.1 V

Performance:

Accuracy Class: <100 psi: ±1% FSO
Linearity, Hysteresis and Repeatability Combined

≥100 psi: ±0.5% FSO Linearity,
Hysteresis and Repeatability Combined

Environmental:

Operating Temp Range: <100 psi:
-45 to +93°C (-50 to +200°F)

≥100 psi: -45 to +121°C (-50 to +250°F)

Compensated Temp Range: <100 psi:-
1 to +54°C (30 to +130°F)

≥100 psi: -18 to +66°C (0 to +150°F)

Thermal Effects: <100 psi: Span: <±2%
within compensated range Zero: <±1%
within compensated range

≥100 psi: Span: 0.003% Rdg/°F

Zero: 0.0045% FSO/°F

Pressure:

Ranges (psi): 5, 15, 25, 50, 100, 200,
500, 1K, 5K, 10K, 20K

Gage, Sealed Gage or Absolute - Metric
Ranges also Available

Proof Pressure: < 100 psi 200% of
rated pressure, ≥ 100 psi 150% rated
Pressure, 30,000 psi maximum

Burst Pressure: <100 psi: 500% of
rated pressure, ≥ 100 psi 300% of rated
pressure, 50,000 psi maximum

Mechanical:

Wetted Parts:

Ranges <100 psi: 316 Stainless Steel

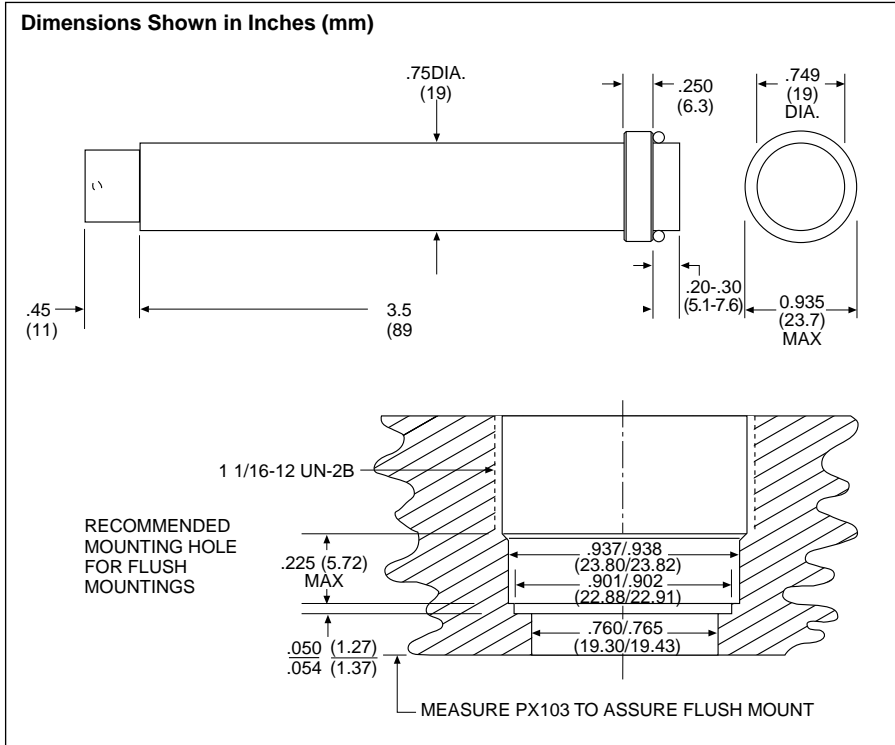
Ranges ≥100 psi: 17-4 PH Stainless
Steel

Pressure Port: Flush Diaphragm

O-Ring: Not included #2-018

Electrical Connection: PT1H-10-6P or

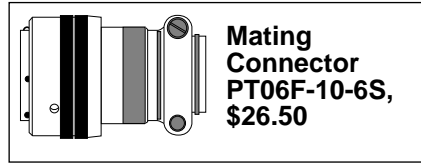
FLUSH DIAPHRAGM TRANSDUCER WITH AMPLIFIED VOLTAGE OUTPUT Stainless Steel Wetted Parts



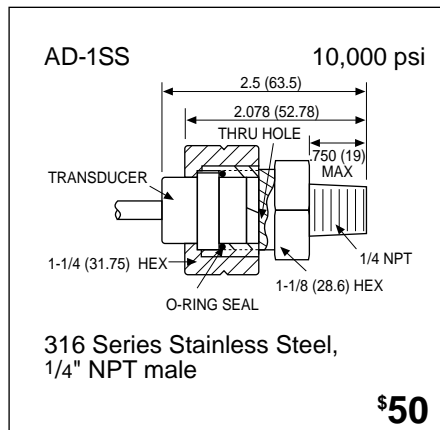
equal

Optional Connection: 10 ft (3m)
4-conductor shielded PVC cable

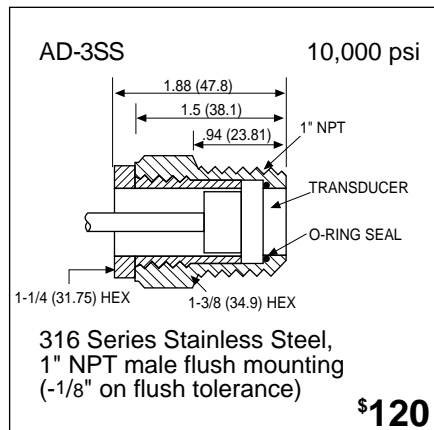
Mating Connector: PT06F-10-6S
(not included)



Flush Mount Adaptors for Series PX103 Transducers



O-Ring Provided with Each Adaptor.



"O" RINGS Viton or Polyurethane

Use for pressures under
10,000 psi:
#2-018-V
VITON \$10/Pk of 10

Use for pressures of
10,000 psi and higher:
#2-018-P
POLYURETHANE \$10/Pk of 10

Look for OMEGADYNE Products on the World Wide Web!

<http://www.omegadyne.com>
e-mail: info@omegadyne.com